



Front Bumper Guards Installation Instructions

Covers Part #9125

Kit contents:

- Bumper guards (2)
- Bumper pads (2)
- 2.5x10mm BCS (4)
- 2.7mm drill bit

Tools needed:

- 2.0mm hex wrench
- Power drill



CAUTION: RISK OF INJURY!

DO NOT hold the front bumper in your hand while drilling holes. Place the bumper on a non-marring surface.

Installation:

1. Remove the two 4x15mm screw pins to remove the front bumper/bumper mount from the chassis.
2. Remove the 3x10mm BCS (2) to remove the front bumper from the bumper mount (Fig. 2).
3. Drill holes into the four screw bosses on the bumper (Fig. 1) with the included 2.7mm drill bit.
4. Install the bumper guards and pads on the front bumper using the included 2.5x10mm BCS (4) (Fig. 2).
5. Reinstall the front bumper on the bumper mount with the 3x10mm BCS (2).
6. Reinstall the front bumper/bumper mount on the chassis and secure with the two 4x15mm screw pins.

BACK VIEW OF FRONT BUMPER

Fig. 1

Drill Holes in Screw Bosses

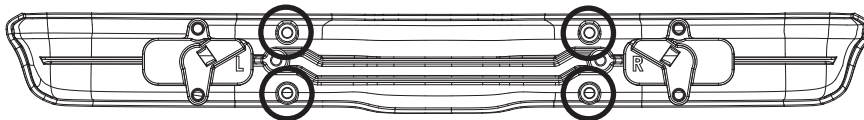
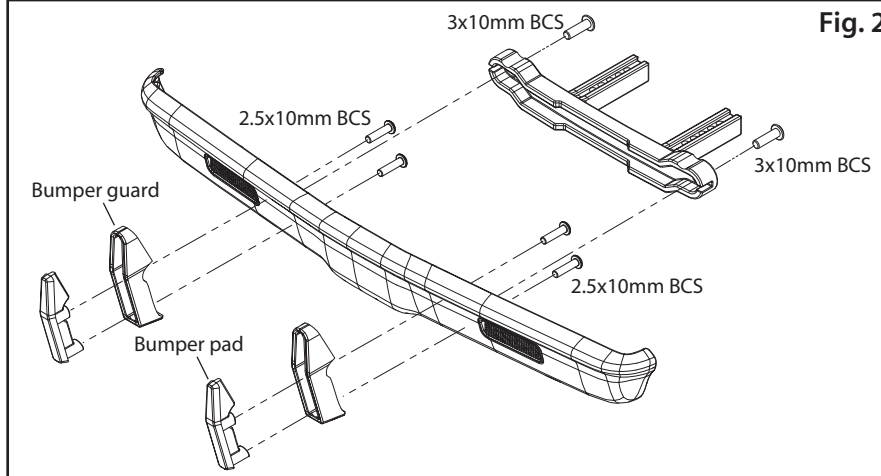


Fig. 2



TRAXXAS.COM

Traxxas, 6250 Traxxas Way, McKinney, TX 75070, Phone: 972-549-3000, Fax: 972-549-3011, e-mail: support@Traxxas.com

KC2757-R00 Rev 200730